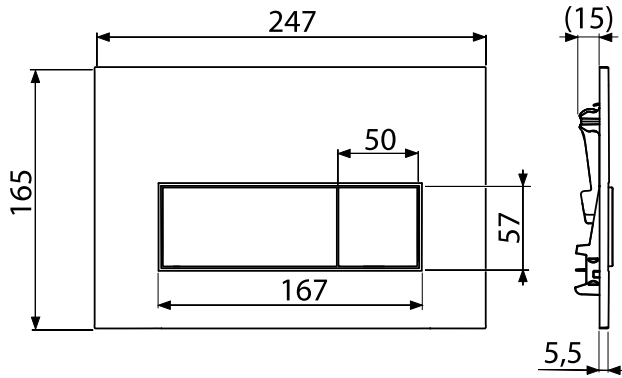


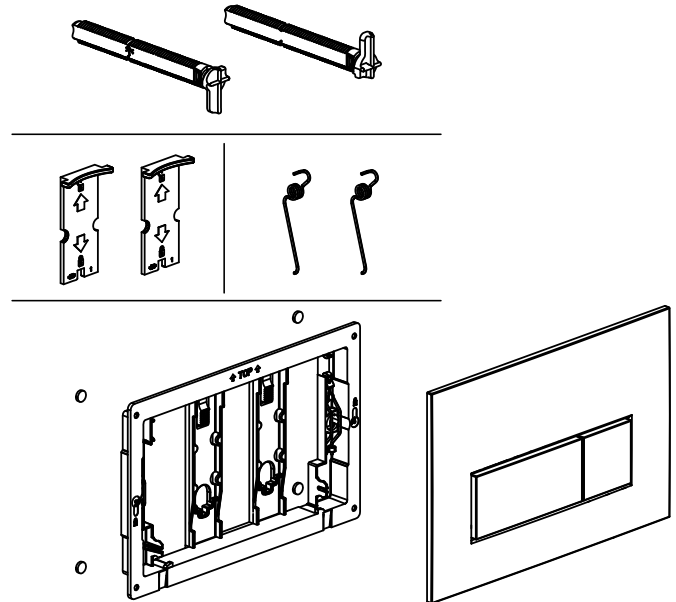


M57x

[mm]



M570, M571, M572, M575, M578



1

PS

2

PS

3

4

5

6

0,05–0,8 MPa
G3/8"

7

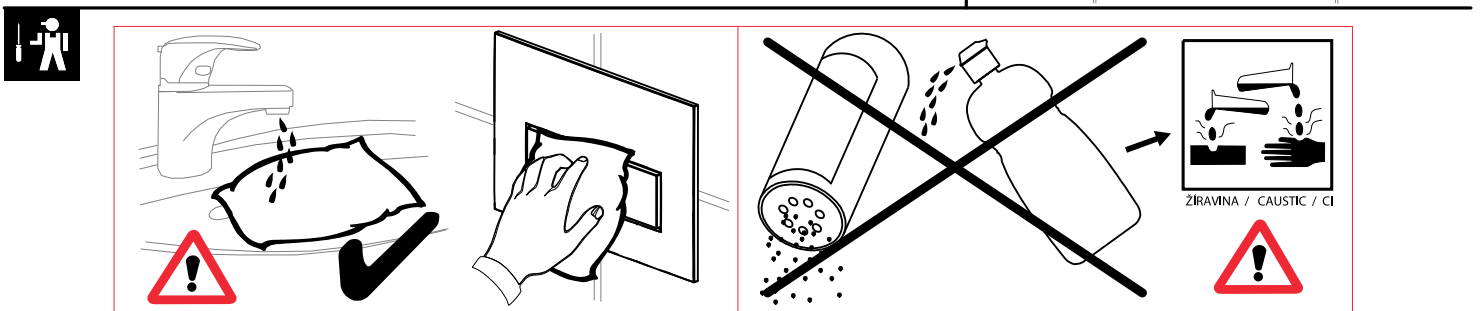
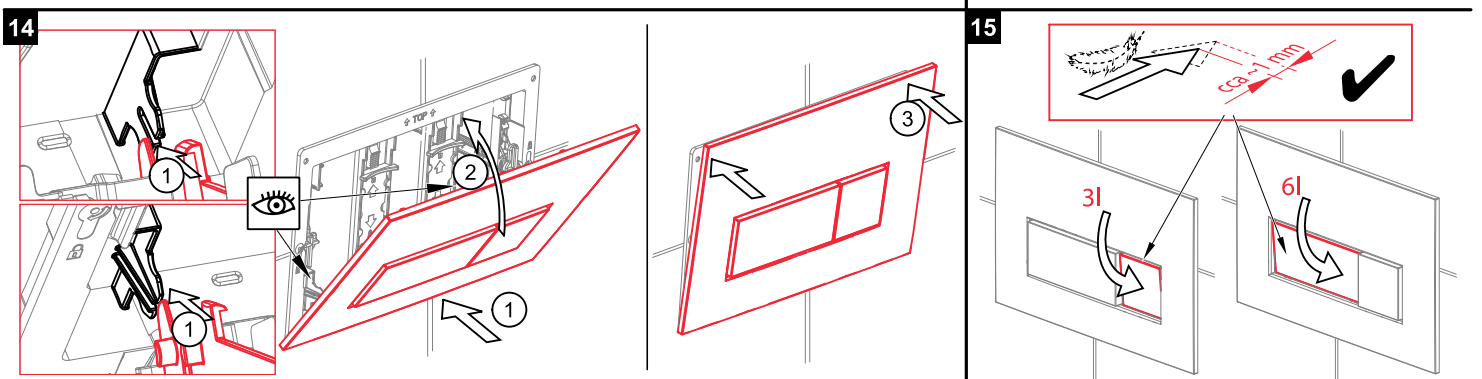
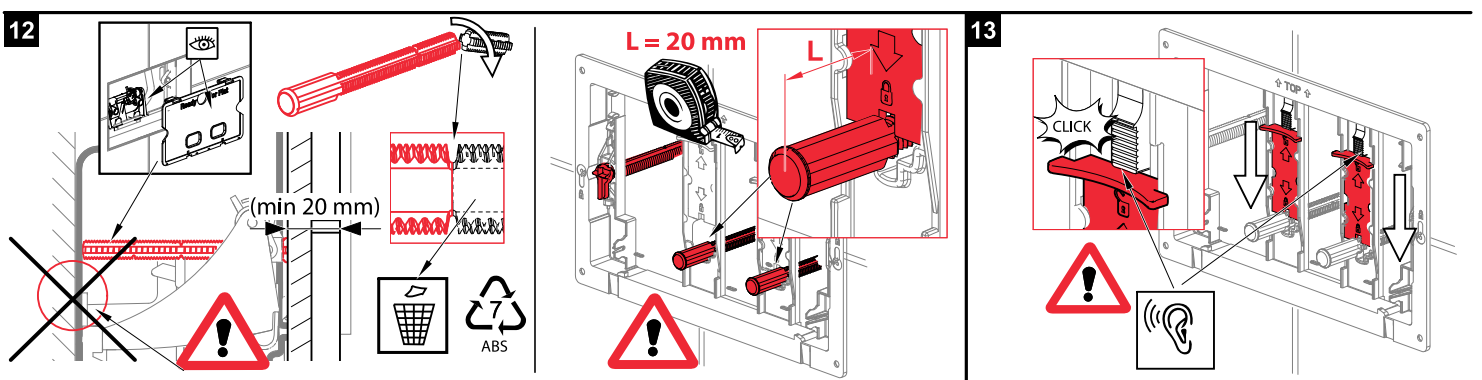
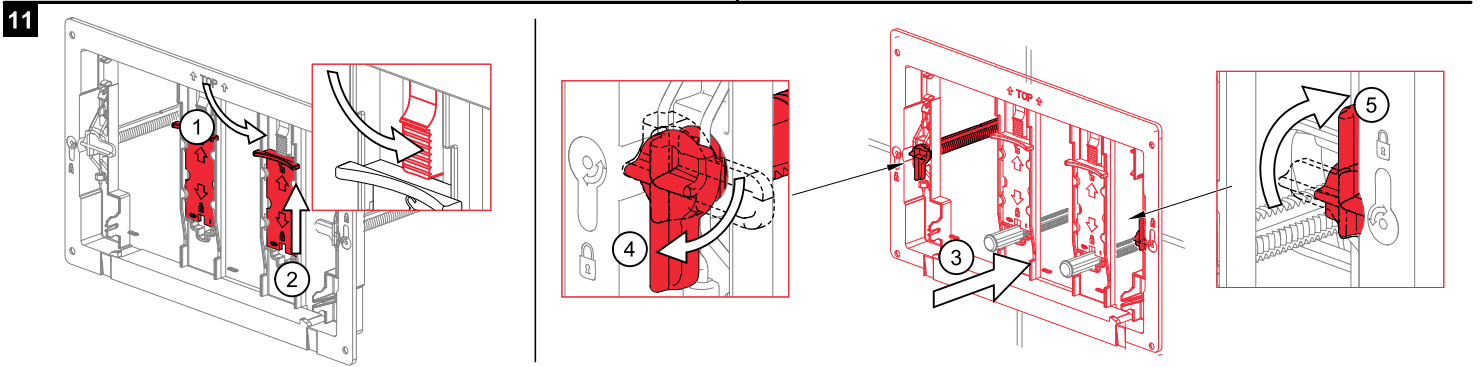
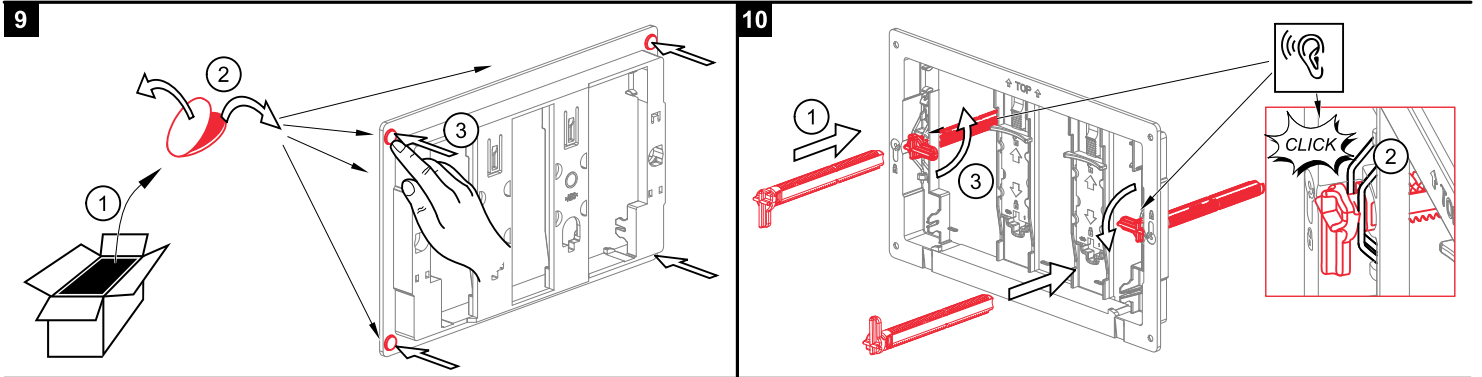
Ready For Flat

8

A100, A101, A102, A112, A115, A116
AM100, AM101, AM102, AM112, AM115, AM116

SLIM - A1101B, A1112B, A1115B
AM1101B, AM1112B, AM1115B

ABS



Alca plast, s. r. o.
 Bratislavská 2846, 690 02 Břeclav, Česká republika
 Tel.: +420 519 821 117 – prodej ČR
 Tel.: +420 519 821 041 – export, Fax: +420 519 821 083
 e-mail: alcaplast@alcaplast.cz, www.alcaplast.cz