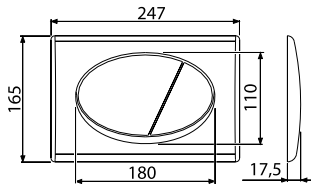


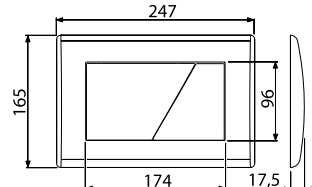


M7x ■ M17x ■ M27x ■ M37x ■ M47x M137x ■ M147x

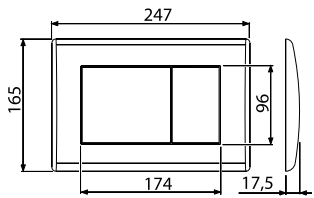
[mm]



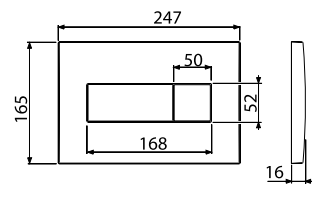
M70, M71, M72, M73, M75



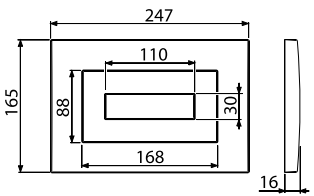
M170, M171, M172, M173, M175



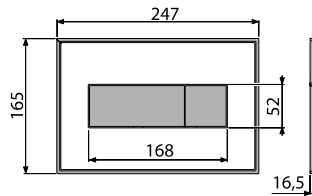
M270, M271, M272, M275, M277



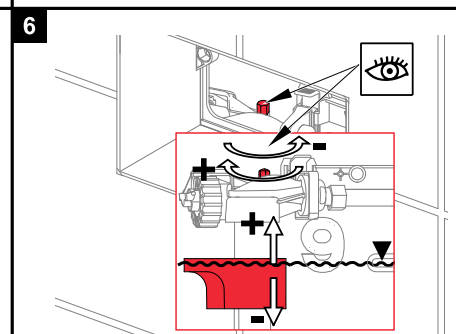
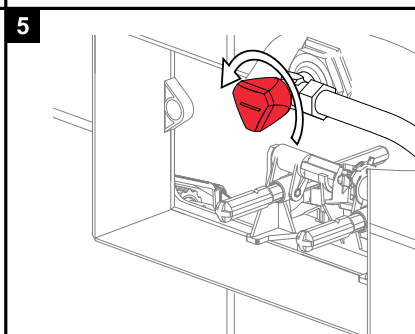
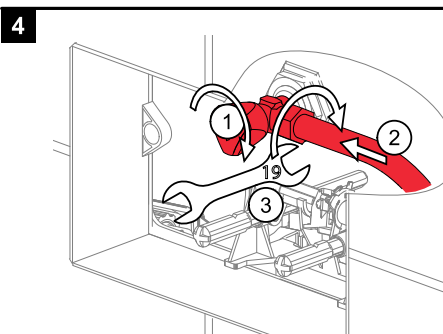
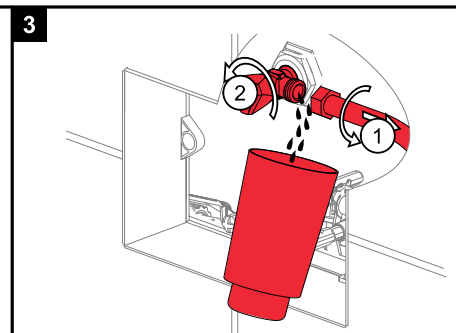
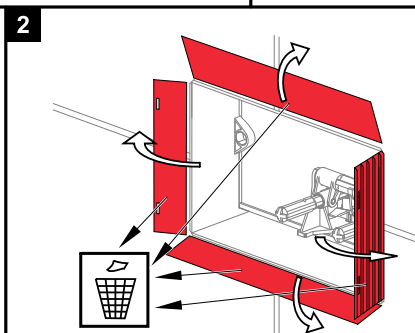
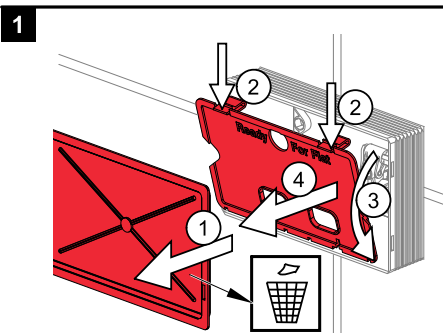
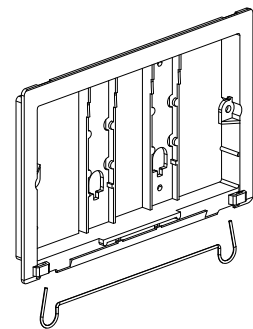
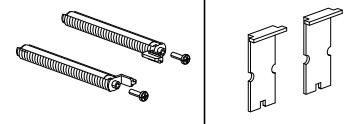
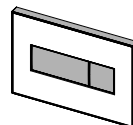
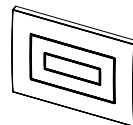
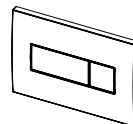
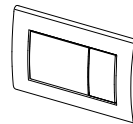
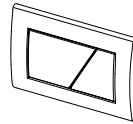
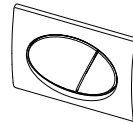
M370, M371, M372, M375, M378

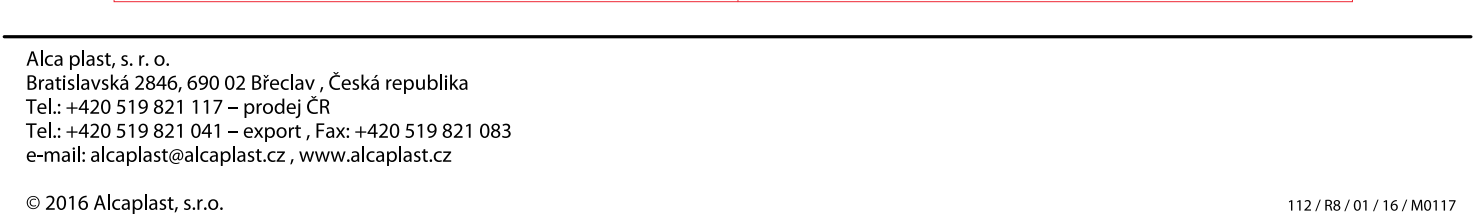
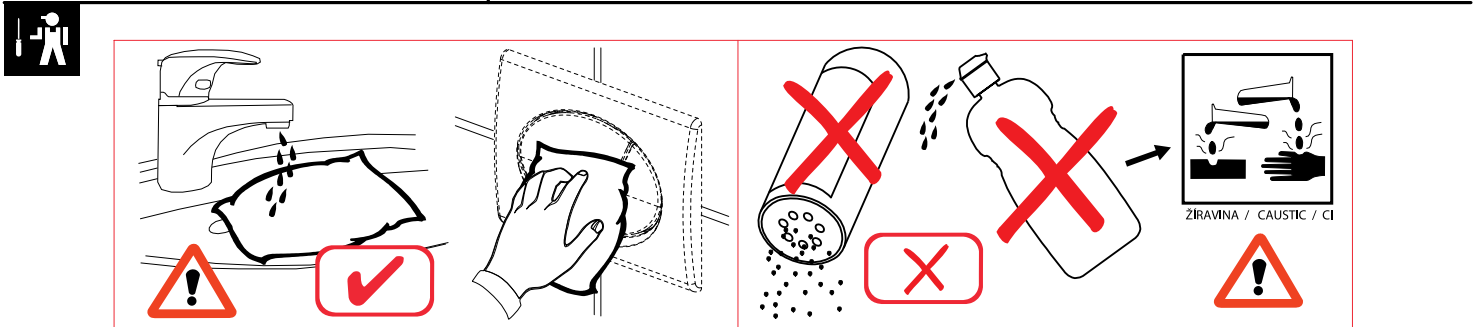
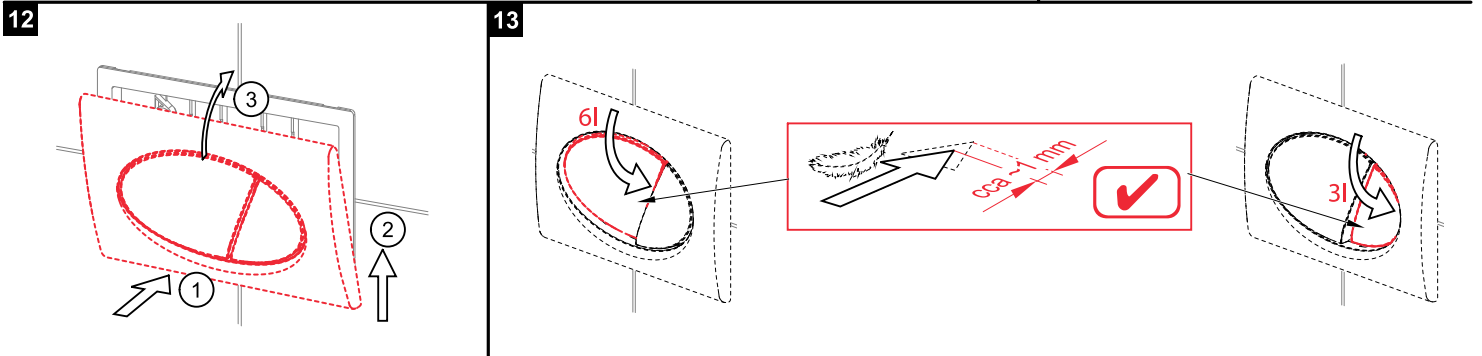
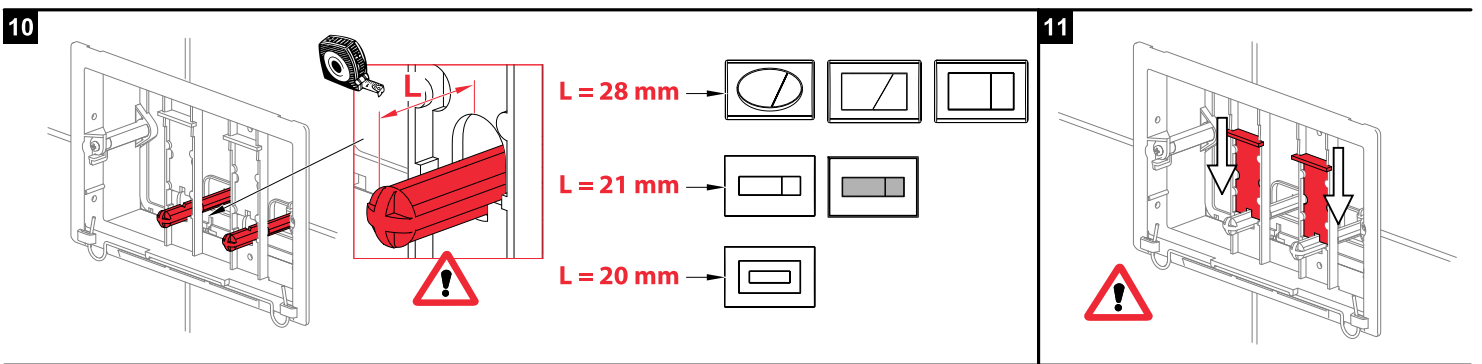
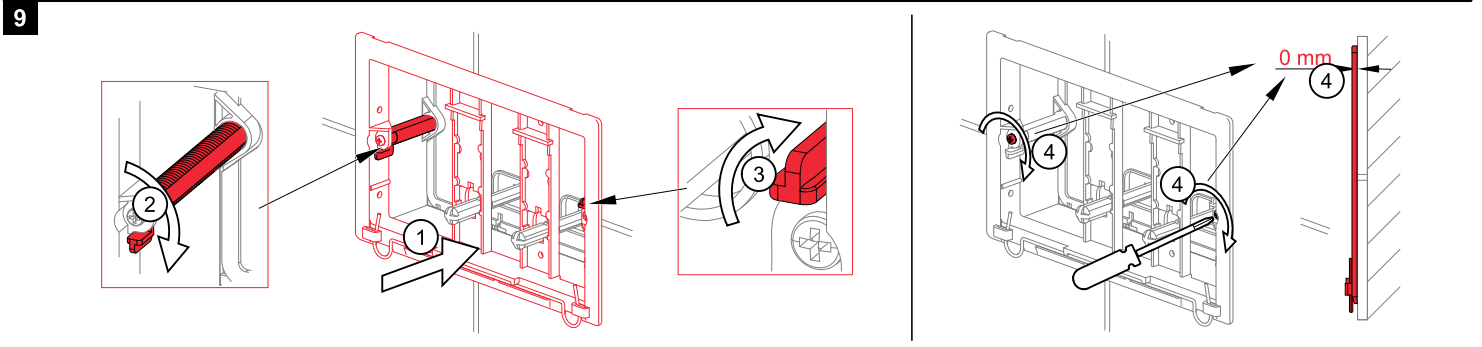
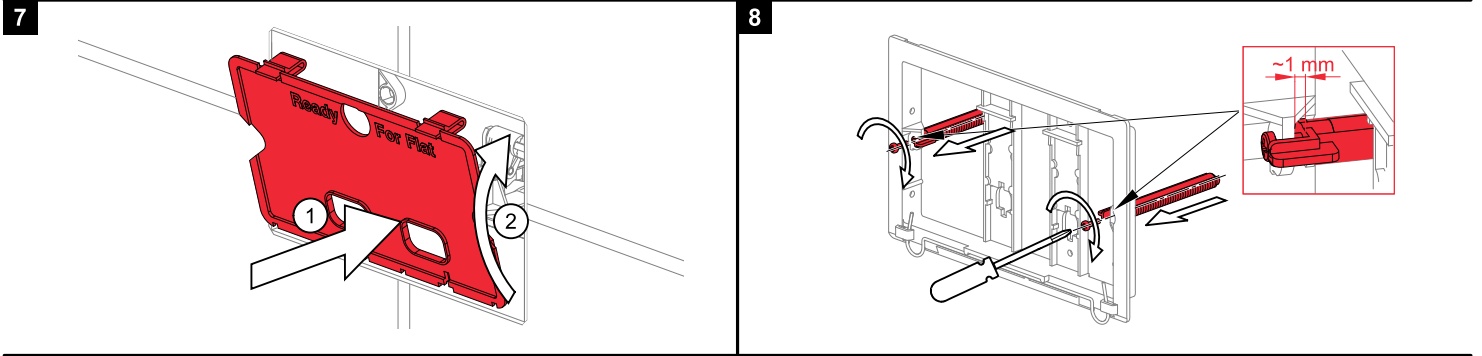


M470, M471, M472, M475, M478



M1370, M1371, M1372, M1374, M1375, M1376
M1470, M1471, M1472, M1474, M1475





Alca plast, s. r. o.
 Bratislavská 2846, 690 02 Břeclav, Česká republika
 Tel.: +420 519 821 117 – prodej ČR
 Tel.: +420 519 821 041 – export, Fax: +420 519 821 083
 e-mail: alcaplast@alcaplast.cz, www.alcaplast.cz