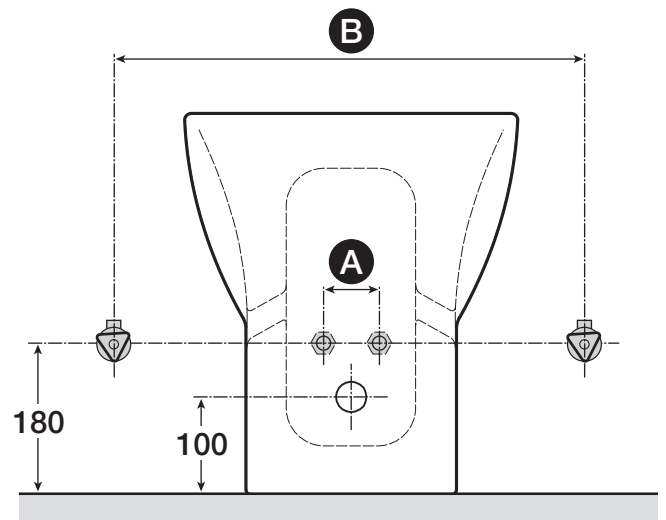
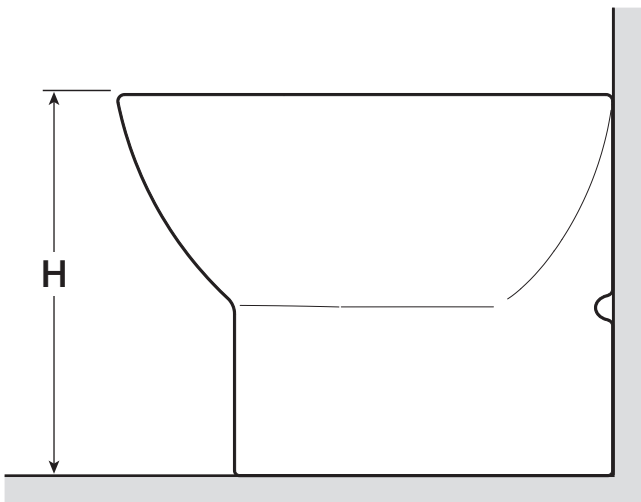
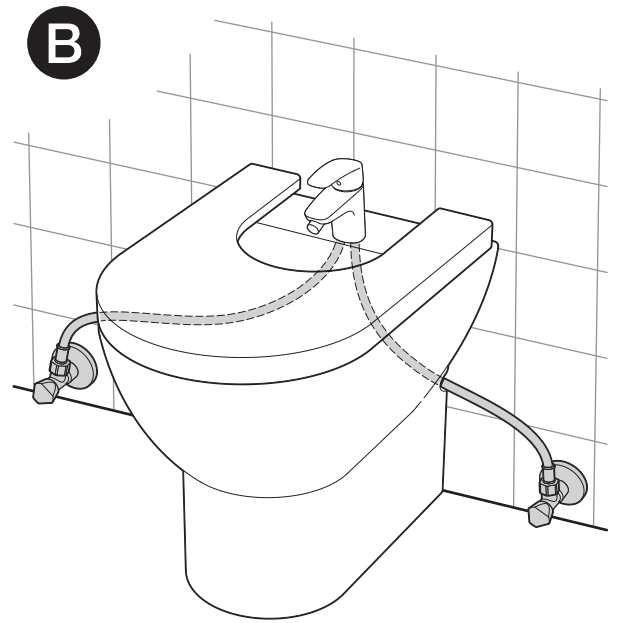
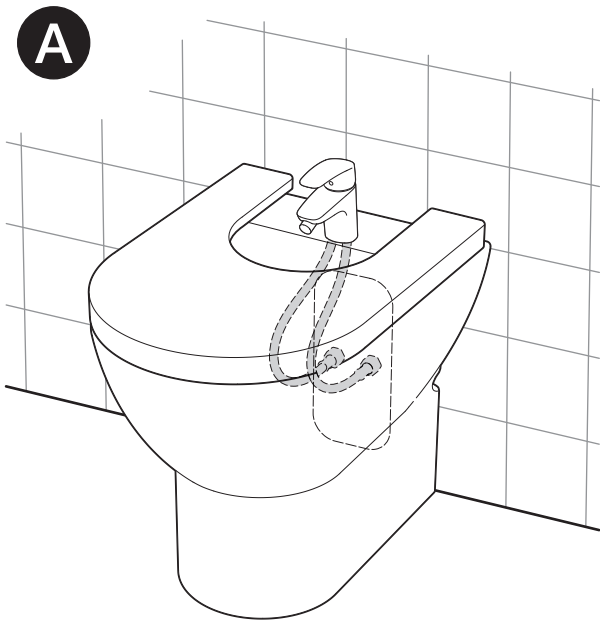





BIDET FS BTW



	A	B	H
AIRE	80	360	380
BEYOND	80	-	410
The GAP 	80	360	440

